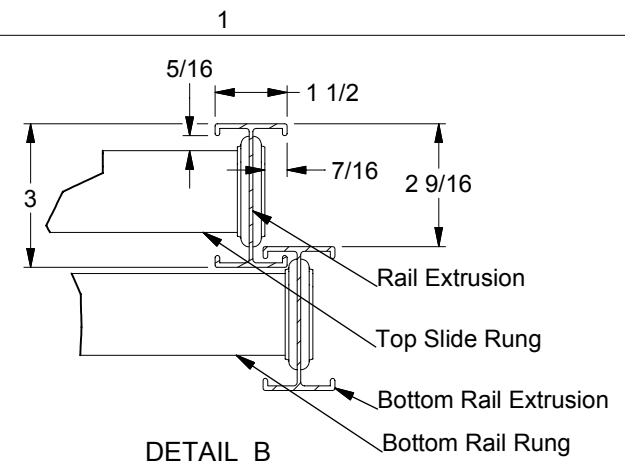
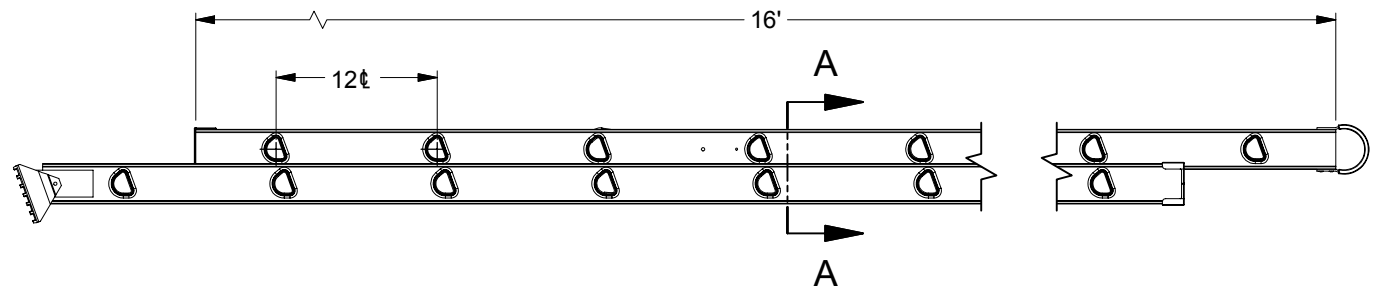
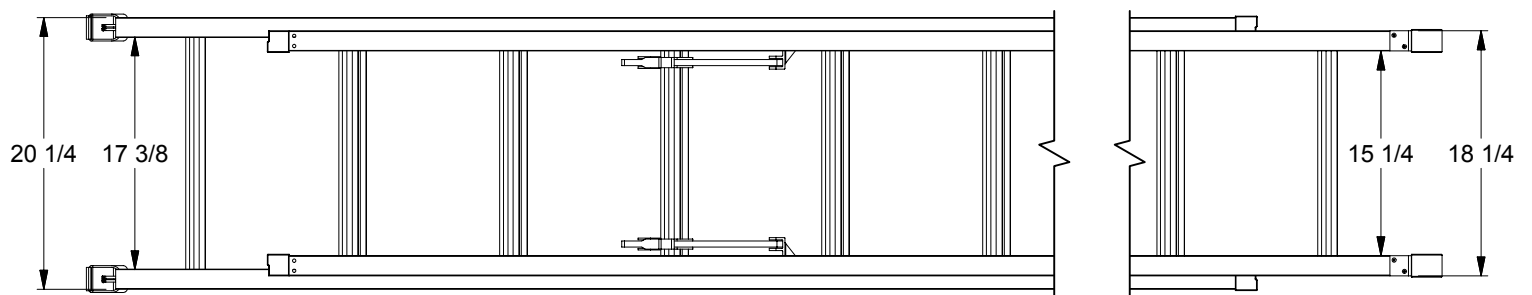


SECTION A-A



DETAIL B



MATERIAL		DigiPlan	
Purchased Part			
UPPER LEVEL ASSEMBLY		DRAWN QBZ	TITLE
Ladder Hoist		REV A	32ft Extension Ladder
WEB ADDRESS	CONTACT INFO	DWG NAME	
www.digiplan.ca	prod.support@digiplan.ca	Extension Ladder	